

**Rocker Switch (RS3-2 (D) Series)**

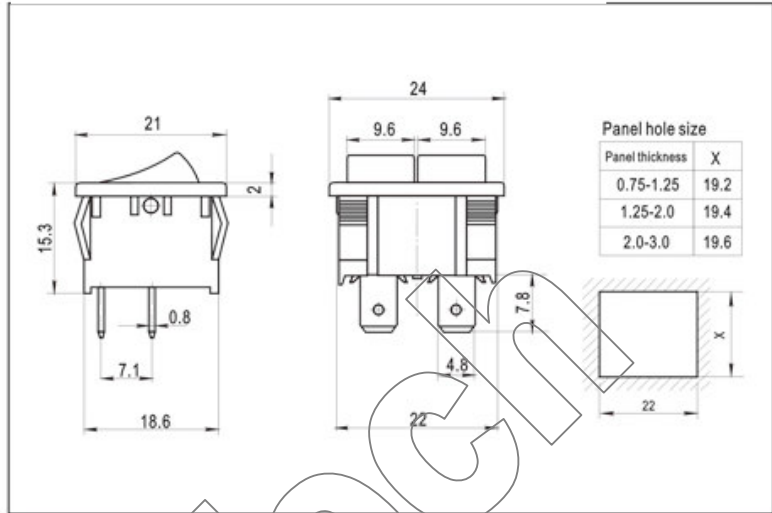


**SPECIFICATIONS**

- (G): 6 (2) A 250VAC T125/55 1E4  
10A 125VAC
- (H): 10 (4) A 250VAC T125/55 1E4  
10 (2) A 250VAC T85/55 5E4  
16A 125VAC / 10A 250VAC 1/3HP 125-25VAC



**ROHS Compliance**



**EXPLANATION MODEL NUMBER**

**RS3-2(D) - 11/11 - G - 30 - BK-BK/BK - P5 - 0**

Function	
11/11	ON-OFF/ON-OFF
12/11	ON-ON/ON-OFF
11(OFF)/11	(ON)-OFF/ON-OFF
12/12	ON-ON/ON-ON
13/13	ON-OFF/ON/OFF-ON
11/00	ON-OFF/Indicator Lamp
11(OFF)/11	ON-(OFF)/ON-OFF
00/00	Indicator Lamp

Rating	
G	10A 125VAC 6A 250VAC
H	16A 125VAC 10A 250VAC

Cap Printing	
0	None
30	○ -
31	- -
32	- =
53	○ ● ●
54	○ ● ●
86	○ -
98	○ -

Color Cap/Housing	
BK	Black
WT	White
RE	Red
GE	Grey
BL	Blue

Terminal	
(P4)	
(P5)	
(P16)	

O	Nothing
P	PVC-Cap